

License: CC-BY-NC-SA-4.0
(c) Michael Weiner, 2024-2026

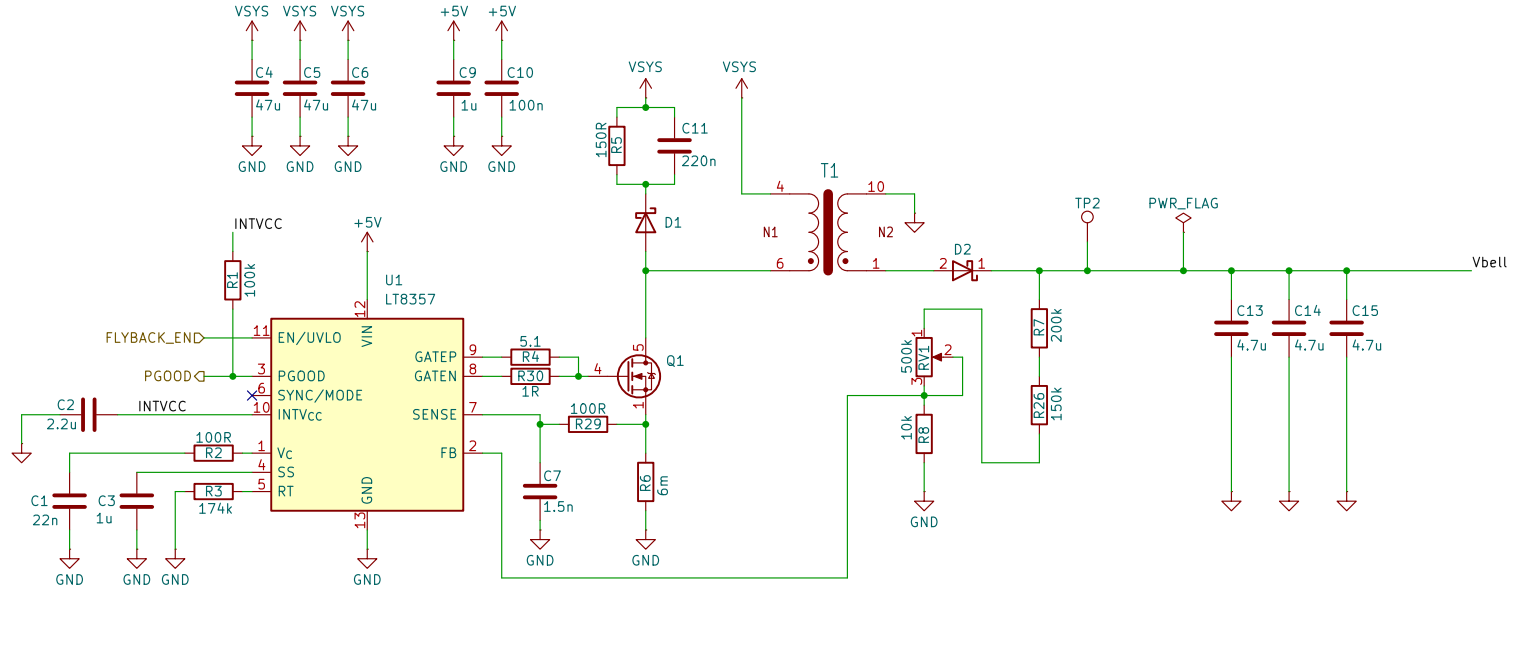
Sheet: /
File: femap.kicad_sch

Title: Fernspe mobilapparat FeMap 611-2

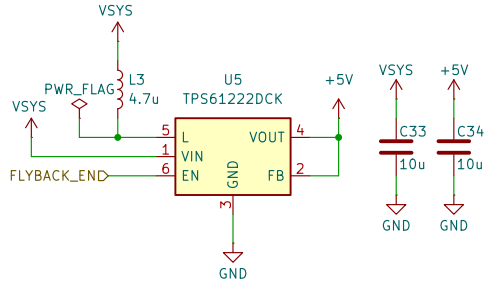
Size: A4 | Date: 2026-03-25
KiCad E.D.A. 9.0.7

Rev:
Id: 1/4

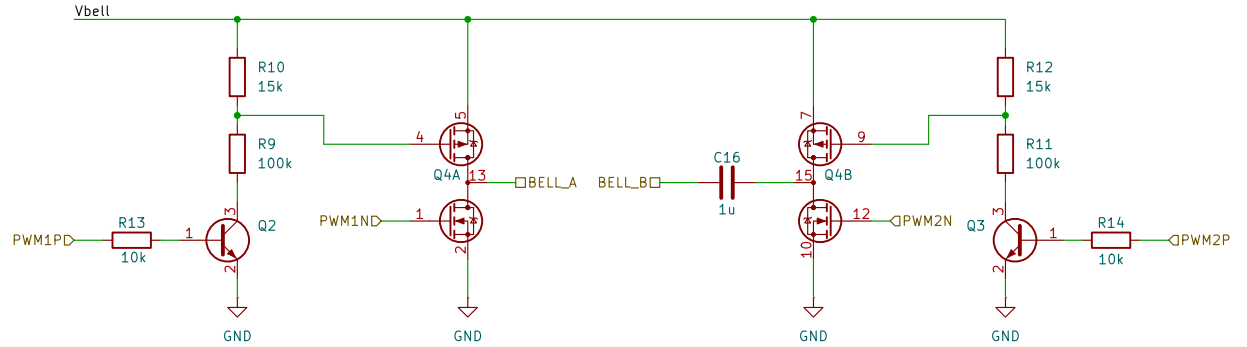
Bell Voltage (ca. 70 V)



5V for LTC8357



H Bridge for Bell



License: CC-BY-NC-SA-4.0
 (c) Michael Weiner, 2024-2026

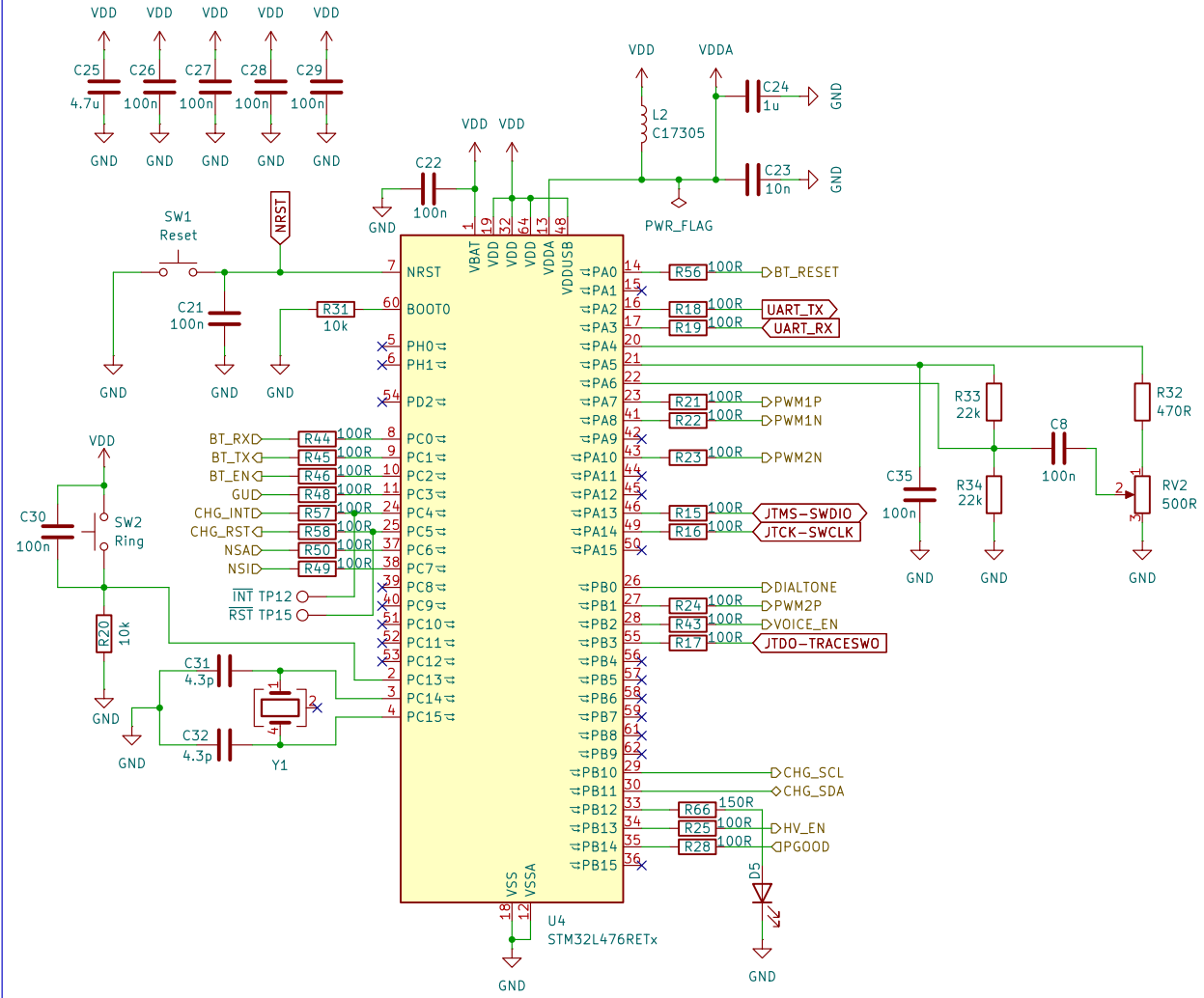
Sheet: /Bell/
 File: bell.kicad_sch

Title: Fernsprechmobilapparat FeMap 611-2

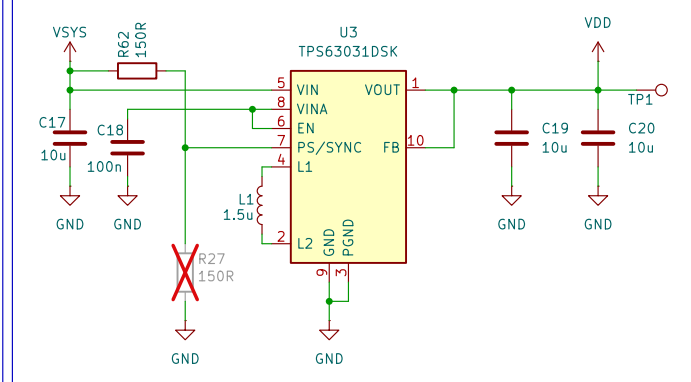
Size: A4 | Date: 2026-03-25
 KiCad E.D.A. 9.0.7

Rev:
 Id: 2/4

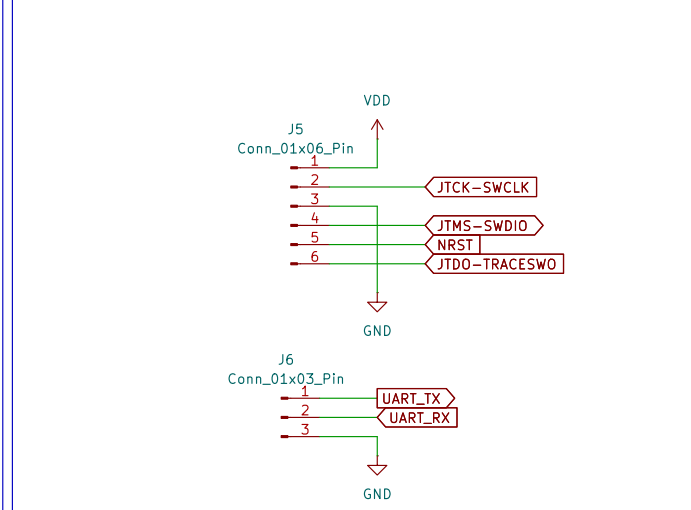
Main Controller



3.3V Supply for Controller



Debug Interfaces



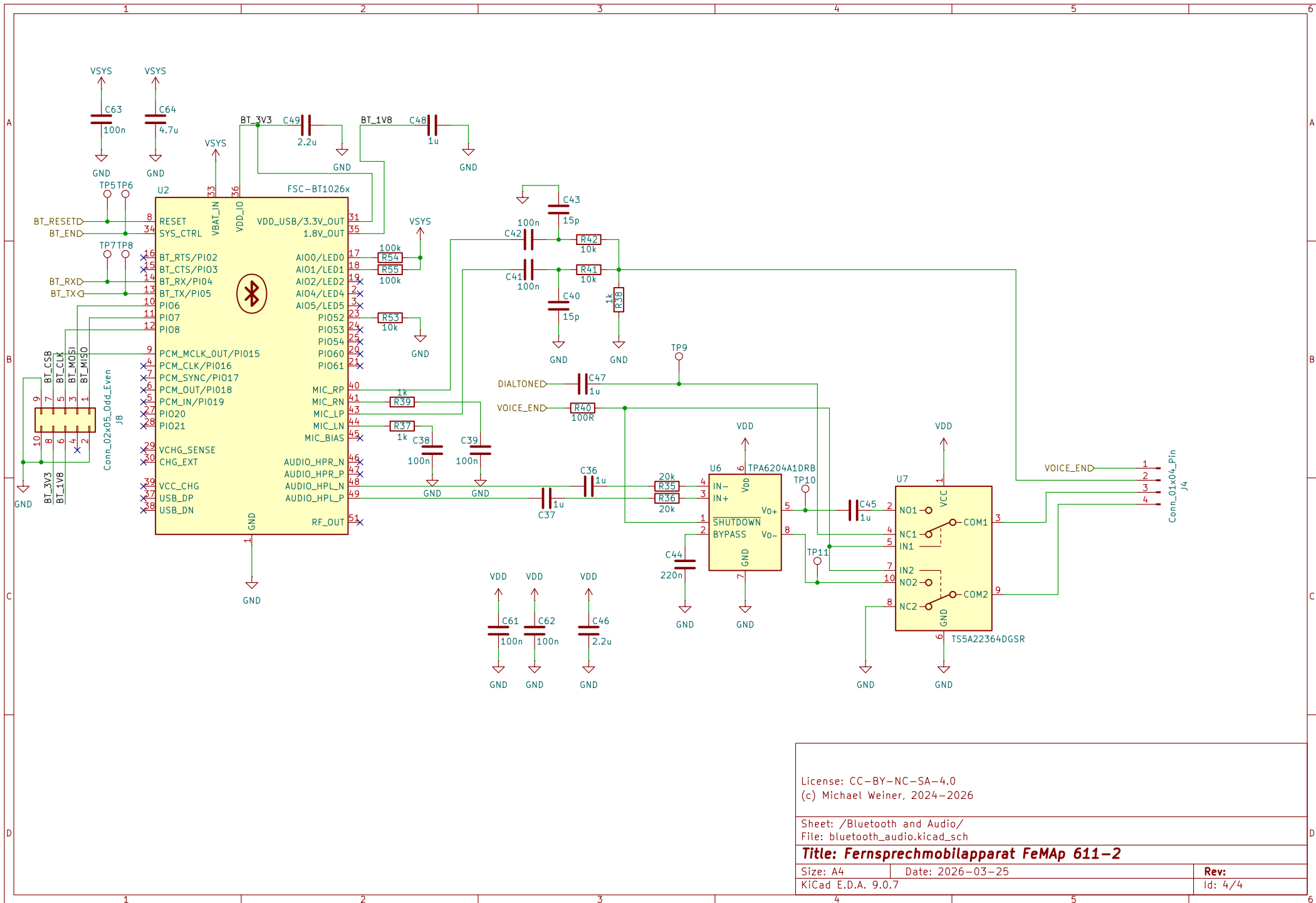
License: CC-BY-NC-SA-4.0
 (c) Michael Weiner, 2024-2026

Sheet: /Controller/
 File: controller.kicad_sch

Title: Fernspionmobilapparat FeMap 611-2

Size: A4 | Date: 2026-03-25
 KiCad E.D.A. 9.0.7

Rev:
 Id: 3/4



License: CC-BY-NC-SA-4.0
(c) Michael Weiner, 2024-2026

Sheet: /Bluetooth and Audio/
File: bluetooth_audio.kicad_sch

Title: Fernsprechmobilapparat FeMap 611-2

Size: A4 | Date: 2026-03-25
KiCad E.D.A. 9.0.7

Rev:
Id: 4/4